

AutoSig® Smart Filter System

Fuel Filter - Water Separator - Integral Water Probe



The AutoSig® SMART Fuel Filter System alerts you of water in your fuel system. AutoSig® is the only "SMART" spin on fuel filter/water separator with an internal water probe. A water in fuel alert can provide early warning of trouble. The AutoSig® system is available with standard mount gauge or dash indicator light. The 5 micron, high efficiency, water separating, spin on filter is available in three standard lengths 4", 6" and 8". *Coming Soon: #AS-SS-N2K Kit with Imbedded NMEA 2000 interface & connector.*

The AutoSig® SMART Fuel Filter System comes with a 316 stainless steel head/mounting bracket with (4) 3/8" NPT ports. AutoSig® System is approved for gasoline or diesel fuels.

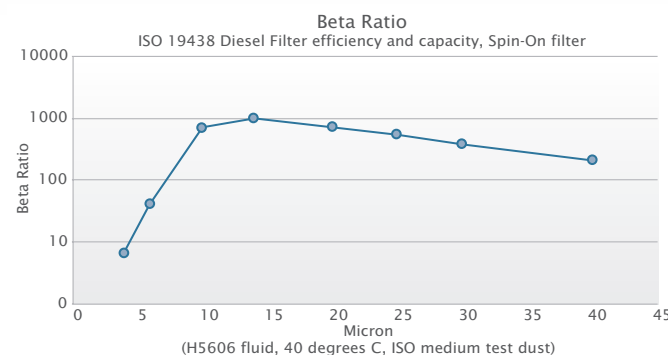
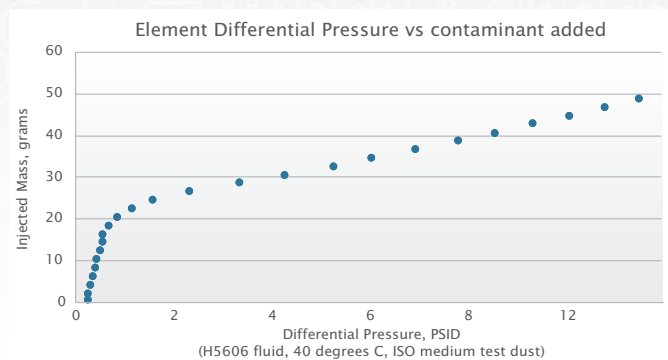
The AutoSig® System is different! The modern design allows for multiple communication configurations. AutoSig® is Designed to pass UL 1105 ABYC and US Coast Guard fuel system requirements.

Why do I need to communicate with my fuel filter?

Consider its location and its function, out of site and out of mind. What if your fuel filter could send you a notification that it needed service? Notification BEFORE harm to your engine may occur or ruin a day on the water. AutoSig® can do this.

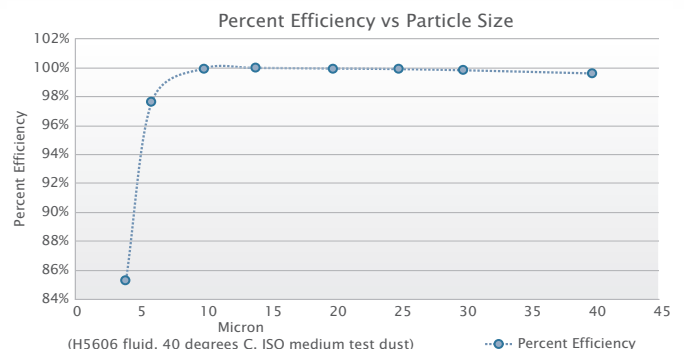


AUTOSIG® FILTER TESTING



PART NAME:	ENT-101, ENT-102, ENT-103
TEST METHOD:	Fuel water separation per SAE J1488
FUEL FLOW RATE:	240L/h

AUTOSIG® FILTER UNDISSOLVED WATER, PPMV				
Time (min)	DP kPa	Influent	Effluent	Efficiency (%)
0	4.5	<5	<5	<99
10	4.5	2392	<5	<99
30	4.5		<5	<99
50	4.5	2212	<5	<99
70	4.7		<5	<99
90	4.7	2363	<5	<99
110	4.7		<5	<99
130	4.7	2230	<5	<99
150	4.7	2375	<5	<99
Average Efficiency				<99



SPECIFICATIONS:

WIRE CONNECTIONS

- AutoSig® connects to supplied wire harness pigtails or to the customers own wire harness.

FILTER HEAD

- Cast 316 stainless steel head/mounting bracket with (4) 3/8 inch NPT ports.

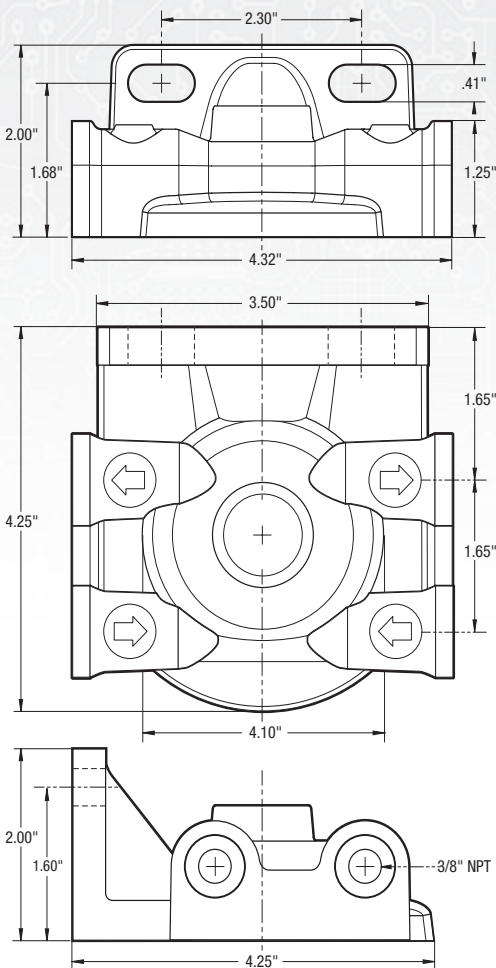
DISPOSABLE SPIN ON FILTER

- Standard can diameter (3-3/4") available in three lengths: 4", 6", 8"

FILTER MEDIA SPECS

- 5 micron* custom formulated paper filter media removes 99% of emulsified water.

*96% efficient at 5 micron,
over 99% efficient at 6 micron



AUTOSIG® FILTER HEAD ASSEMBLY KITS

For use with the AutoSig® water separating fuel filter



KIT #AS-SS-G1 Includes:

- 316 Stainless Steel Head with 3/8" NPT ports
- Gauge, wire harness, connectors
- Water separating fuel filter
- Select Filter Size: 4", 6", or 8"



KIT #AS-SS-G2 Includes:

- Two - 316 Stainless Steel Heads with 3/8" NPT ports
- Gauge with Port and Starboard indicator
- Wire harness and connectors
- Two - Water separating fuel filters
- Select Filter Size: 4", 6", or 8"



KIT #AS-SS-L3 Includes:

- 316 Stainless Steel Head with 3/8" NPT ports
- Imbedded indicator light driver circuit interface with indicator light
- Wire harness and connectors
- Water separating fuel filter
- Select Filter Size: 4", 6", or 8"

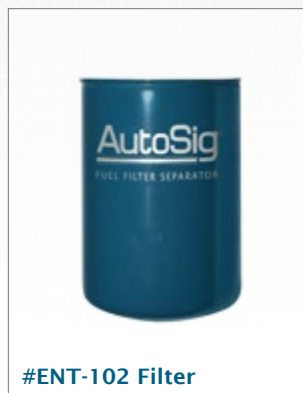
AUTOSIG® FUEL FILTERS

The AutoSig® water separating fuel filter is a 5 micron high efficiency spin on filter available in three different lengths



#ENT-101 Filter

- 4 INCH spin on Replacement Fuel Filter
- 5 micron high efficiency



#ENT-102 Filter

- 6 INCH spin on Replacement Fuel Filter
- 5 micron high efficiency



#ENT-103 Filter

- 8 INCH spin on Replacement Fuel Filter (Includes 1/8-27 pipe plug)
- 5 micron high efficiency
- UL listed marine Drain available at extra cost

Go to website for more info and pricing: www.entrtech.com/products

AutoSig is a registered trademark of and manufactured by Entratech Systems LLC | www.entrtech.com