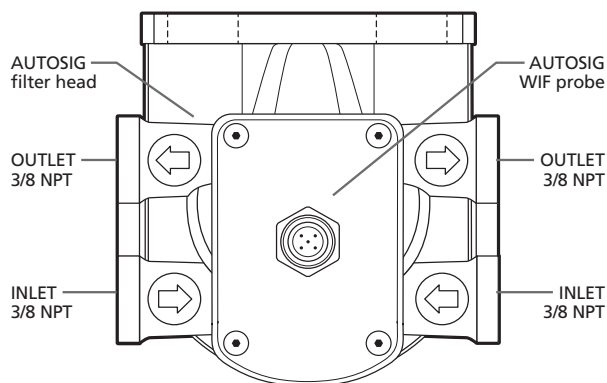


AutoSig® Smart Filter System

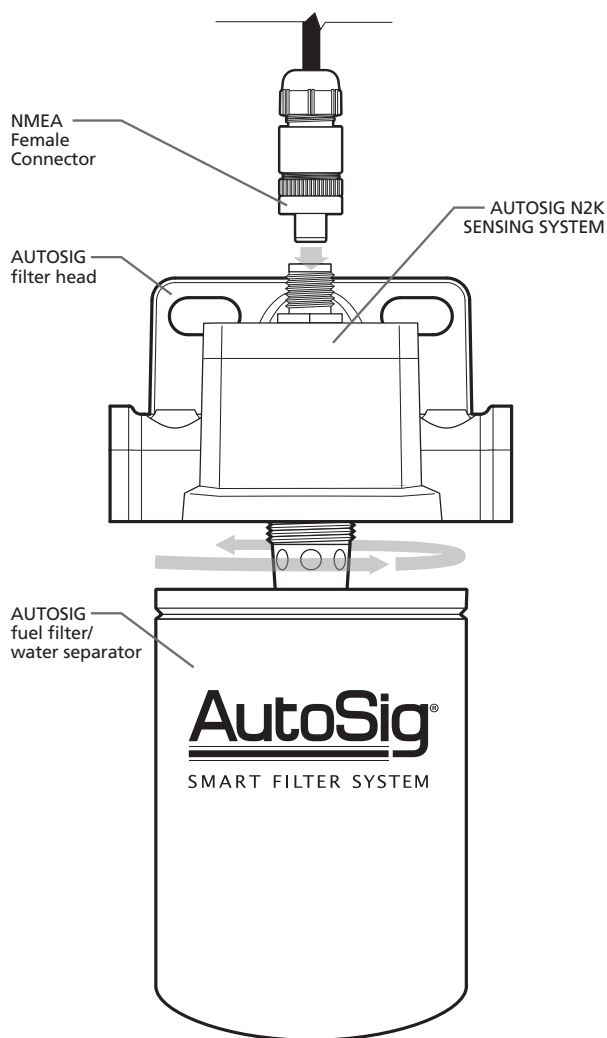
Fuel Filter - Water Separator - Integral Water Probe

AutoSig N2K

TOP VIEW



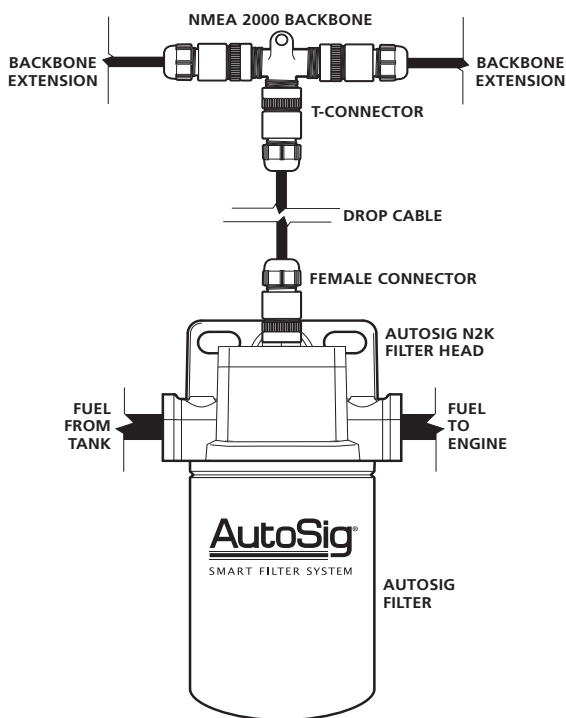
FRONT VIEW



BEFORE INSTALLING:

1. Be sure engine is turned off and fuel hoses are temporarily clamped tight.
2. Be sure to follow all safety precautions before installing the AUTOSIG fuel filter system.

INSTALLATION DIAGRAM:



FILTER HEAD INSTALLATION:

1. Connect fuel hose from fuel tank to AutoSig FILTER HEAD INLET.
2. Connect fuel hose from AutoSig FILTER HEAD OUTLET to engine.
3. Insert plugs for unused INLET and OUTLET.
3. Add a T-Connector to your NMEA backbone with drop cable.
4. Connect the NMEA drop cable with female connector to AutoSig N2K connection .

See wiring diagram above for complete electrical connections.

AUTOSIG OPERATION:

1. When AutoSig is powered on follow the instructions on your NMEA display.
2. When AutoSig detects water there will be a short delay, then an alert will show on your NMEA display.

For more on NMEA 2000 system visit SignalFilters.com/NMEA

Go to website for more info: SignalFilters.com

AutoSig is a registered trademark of and manufactured by Entratech Systems LLC | SignalFilters.com