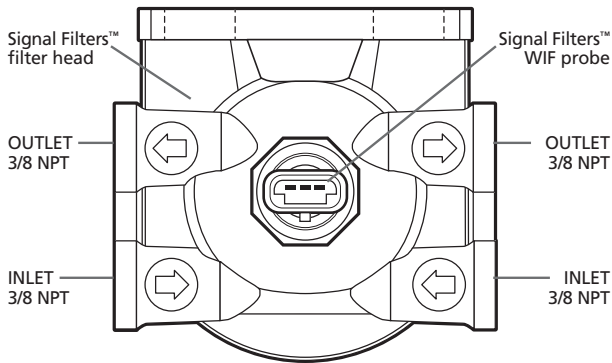


SMART FUEL FILTER

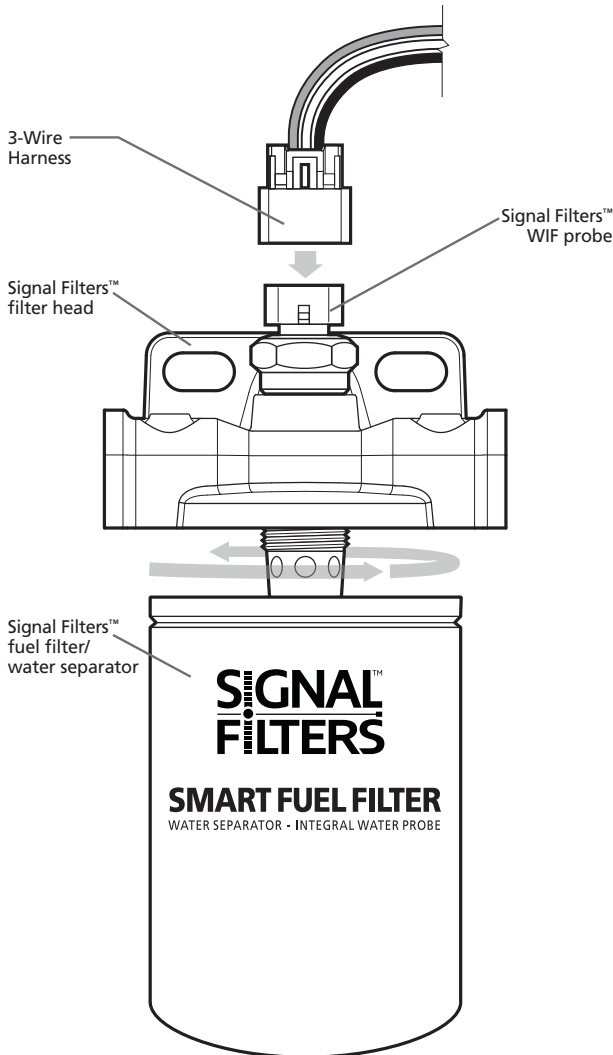
FUEL FILTER - WATER SEPARATOR - INTEGRAL WATER PROBE

SFK AL3 SS

TOP VIEW



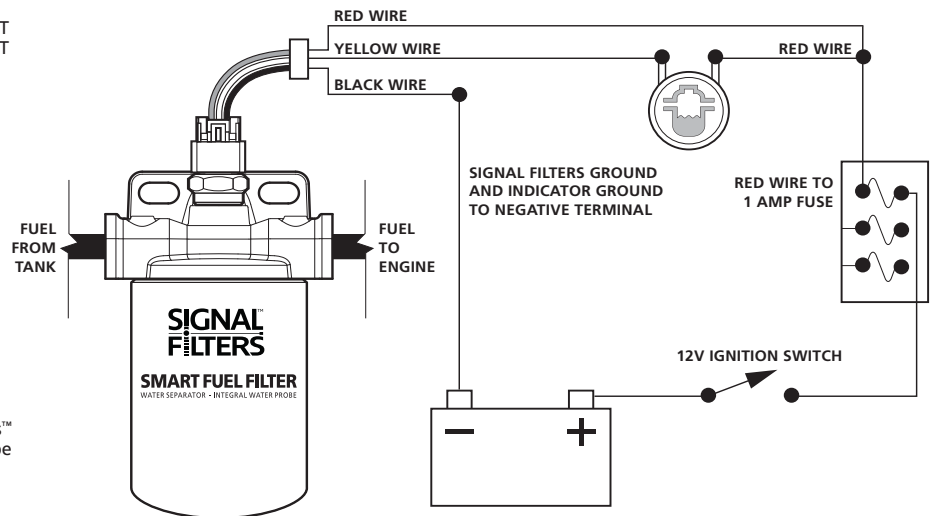
FRONT VIEW



BEFORE INSTALLING:

1. Be sure vehicle battery is disconnected.
2. Be sure engine is turned off and fuel hoses are temporarily clamped tight.
3. Be sure to follow all safety precautions before installing the Signal Filters™ fuel filter system.

INSTALLATION DIAGRAM:



FILTER HEAD INSTALLATION:

1. Connect fuel hose from fuel tank to Signal Filters™ FILTER HEAD INLET.
2. Connect fuel hose from Signal Filters™ FILTER HEAD OUTLET to engine.
3. Insert plugs for unused INLET and OUTLET.
4. Connect WIRE HARNESS to WIF probe on Signal Filters™ FILTER HEAD.
5. BLACK WIRE from Signal Filters™ WIRE HARNESS connects to negative terminal on battery (Ground).
6. YELLOW WIRE from Signal Filters™ WIRE HARNESS connects to an INDICATOR BLADE TERMINAL.
7. RED WIRE from Signal Filters™ WIRE HARNESS and other INDICATOR BLADE TERMINAL connects to 1 AMP FUSE from ignition switch 12V DC power source.

See wiring diagram above for complete electrical connections.

SIGNAL FILTERS™ OPERATION:

1. When Signal Filters™ is powered on there will be a short circuit and indicator lamp test.
2. When Signal Filters™ detects water there will be a short delay, then the indicator will come on.
3. If water stays in contact with filter probe for more than 5 seconds, Signal Filters™ will latch on and stay on until the power source is disconnected.

Go to website for more info: SignalFilters.com

Signal Filters™ is a registered trademark of and manufactured by Entratech Systems LLC | SignalFilters.com