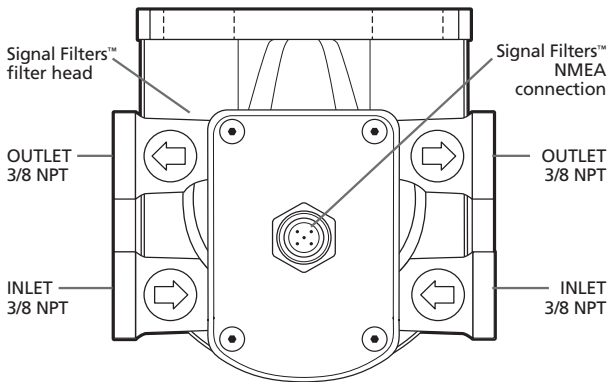


SMART FUEL FILTER

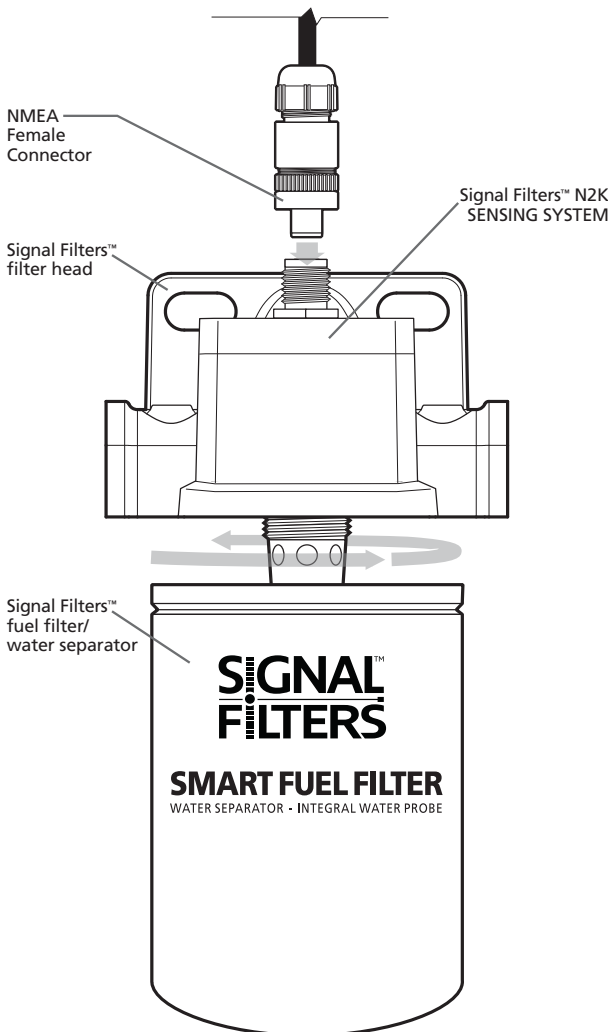
FUEL FILTER - WATER SEPARATOR - INTEGRAL WATER PROBE

SFH N2K SS

TOP VIEW



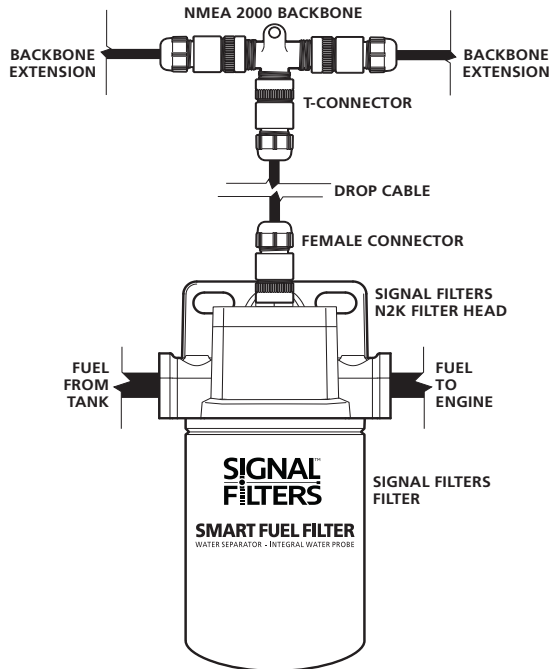
FRONT VIEW



BEFORE INSTALLING:

1. Be sure engine is turned off and fuel hoses are temporarily clamped tight.
2. Be sure to follow all safety precautions before installing the Signal Filters™ fuel filter system.

INSTALLATION DIAGRAM:



FILTER HEAD INSTALLATION:

1. Connect fuel hose from fuel tank to Signal Filters™ FILTER HEAD INLET.
2. Connect fuel hose from Signal Filters™ FILTER HEAD OUTLET to engine.
3. Insert plugs for unused INLET and OUTLET.
3. Add a T-Connector to your NMEA backbone with drop cable.
4. Connect the NMEA drop cable with female connector to Signal Filters™ N2K connection.

See wiring diagram above for complete electrical connections.

SIGNAL FILTERS™ OPERATION:

1. Follow the instructions on your MFD, on first power up of Signal Filters™ N2K.
2. During operation when Signal Filters™ detects water, there will be a short delay, then an alert will show on your MFD.
3. The default MFD alert will match alert on sticker, adhered to Signal Filters™ filter head. (Some MFD's default alert may be reprogrammed to match the other labels.)



For more on NMEA 2000 system visit SignalFilters.com/NMEA

Go to website for more info: SignalFilters.com

Signal Filters™ is a registered trademark of and manufactured by Entratech Systems LLC | SignalFilters.com